



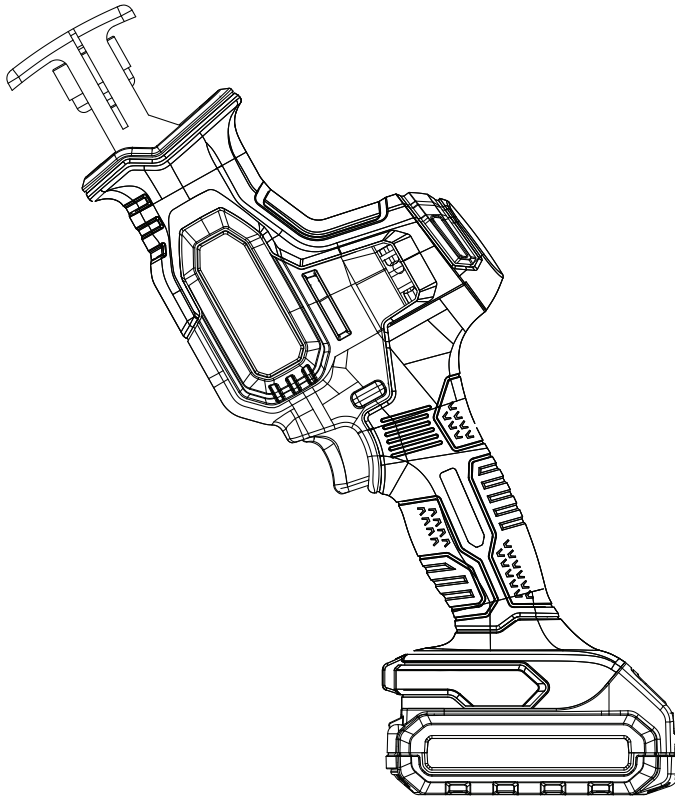
**เลื่อยคอตงไร้สาย 20V  
รุ่น PSRX2-L1-EU**

พร้อมแบตเตอรี่ 2.0Ah 1 ก้อน และแท่นชาร์จ 1 อัน

**20V MAX LITHIUM ION  
RECIPROCATING SAW**

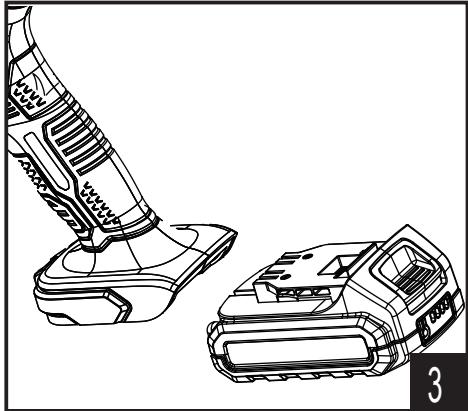
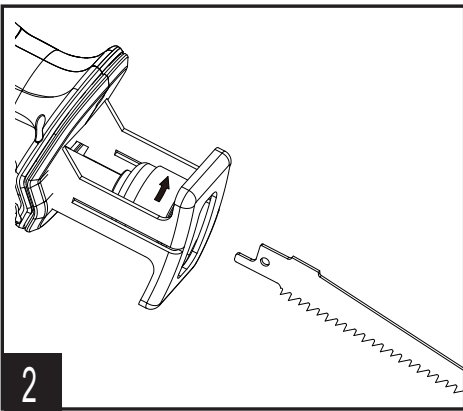
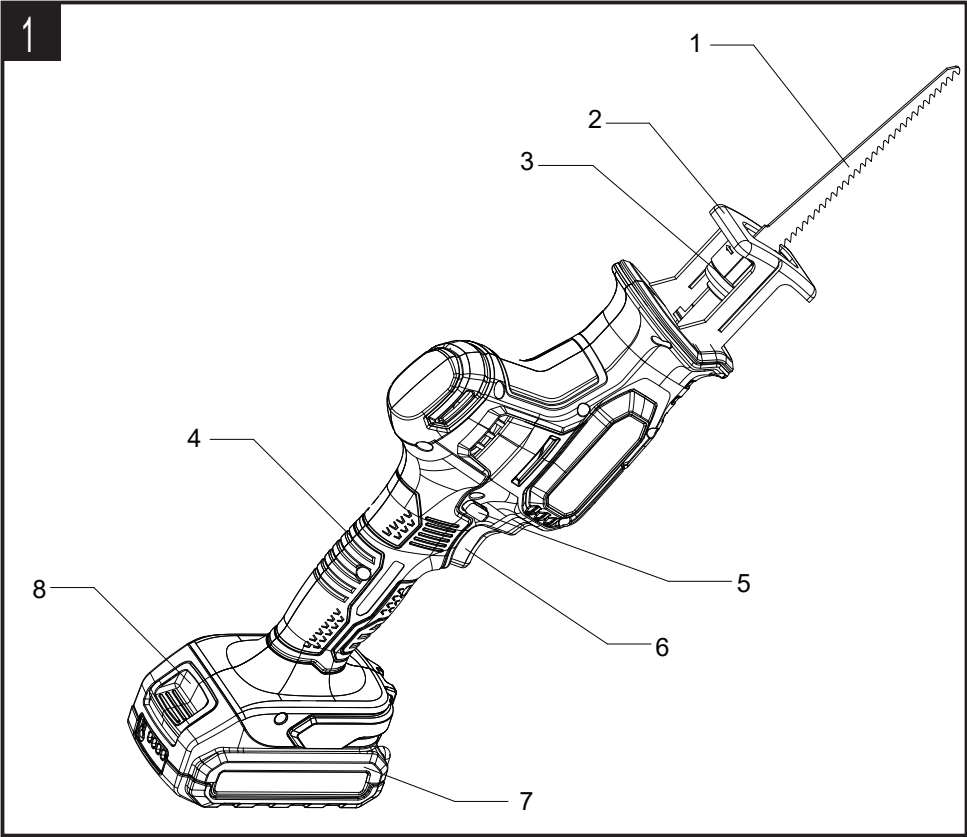
Model : PSRX2-L1-EU

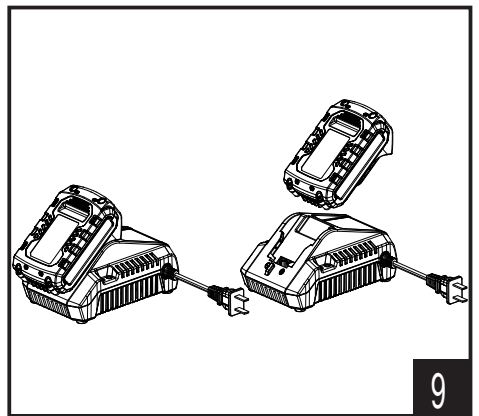
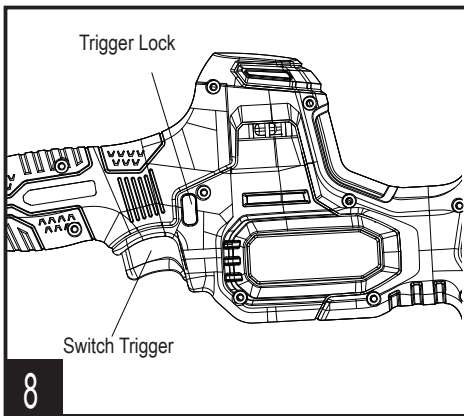
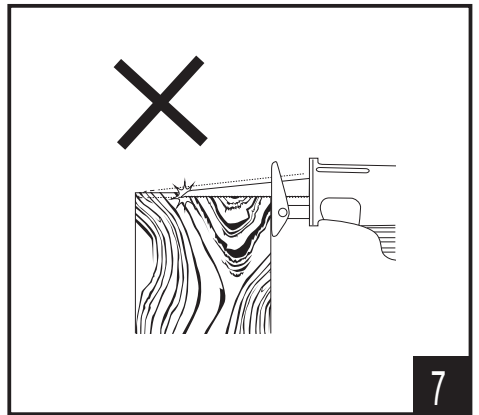
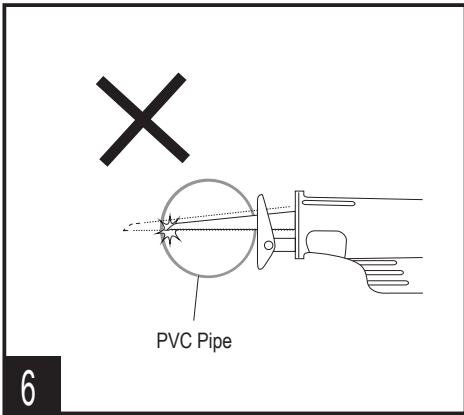
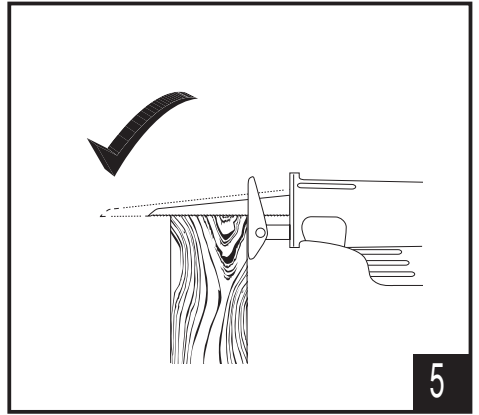
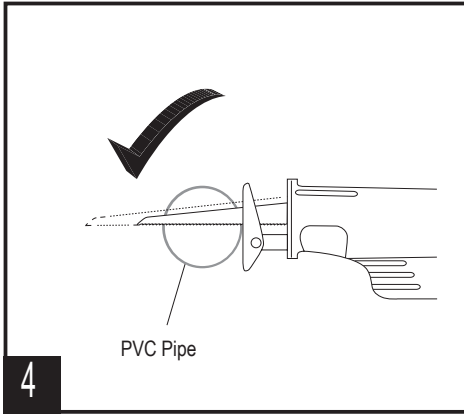
PSRX2-L1-EU-0

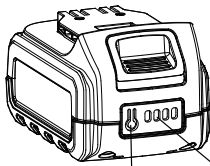


For customer service please find all information on [www.senixtools.com](http://www.senixtools.com)  
CAUTION: BEFORE USING THIS PRODUCT, READ THIS MANUAL AND  
FOLLOW ALL ITS SAFETY RULES AND OPERATING INSTRUCTIONS.

ORIGINAL INSTRUCTIONS







Light Button

Indicator

# TABLE OF CONTENTS

SAFETY & INTERNATIONAL SYMBOLS .....	6
SAFETY INSTRUCTIONS.....	7
KNOW YOUR UNIT.....	14
SPECIFICATIONS*.....	14
ASSEMBLY.....	14
OPERATION.....	15
MAINTENANCE.....	17
RECYCLING AND DISPOSAL.....	18
TROUBLESHOOTING.....	19
PARTS.....	20

# SAFETY & INTERNATIONAL SYMBOLS

Explanation of safety & international symbols describes safety and international symbols and pictographs that may appear on this product. Read the operator's manual for complete safety, assembly, operating and maintenance and repair information.



Caution / Warning.



To reduce the risk of injury, user must read instruction manual.



Wear eye protection.



Wear a dust mask.



Wear safety footwear.



Wear protective gloves.



Do not dispose of battery packs in rivers or immerse in water.



Do not dispose of battery packs in fire. They will explode and cause injury.



Use and store the battery within an temperature below 50°C.



Do not disassemble, crush, heat above 100°C; Never expose the battery to microwaves or high pressures.



Keep bystanders a safe distance away from the work area.



Indoor use only. Only use battery charger indoors.



Waste electrical products should not be disposed of with household waste. Please recycle where facilities exist. Check with your Local Authority or local store for recycling advice.



Crossed out dust bin. Batteries and battery packs should not be disposed of with household waste. Please recycle where facilities exist. Check with your Local Authority or local store for recycling advice.

## **SAFETY INSTRUCTIONS**

### **GENERAL POWER TOOL SAFETY WARNINGS**

#### **WARNING!**

Read all safety warnings, instructions, illustrations and specifications, provided with this power tool. Failure to follow all instructions listed below may result in electric shock, fire and/or serious injury.

Save all warnings and instructions for future reference.

The term "power tool" in the warnings refers to your mains-operated (corded) power tool or battery-operated (cordless) power tool.

#### **1) Work Area Safety**

- a) Keep work area clean and well lit. Cluttered or dark areas invite accidents.
- b) Do not operate power tools in explosive atmospheres, such as in the presence of flammable liquids, gases or dust. Power tools create sparks which may ignite the dust or fumes.
- c) Keep children and bystanders away while operating a power tool. Distractions can cause you to lose control.

#### **2) Electrical Safety**

- a) Power tool plugs must match the outlet. Never modify the plug in any way. Do not use any adapter plugs with earthed (grounded) power tools. Unmodified plugs and matching outlets will reduce risk of electric shock.
- b) Avoid body contact with earthed or grounded surfaces, such as pipes, radiators, ranges and refrigerators. There is an increased risk of electric shock if your body is earthed or grounded.
- c) Do not expose power tools to rain or wet conditions. Water entering a power tool will increase the risk of electric shock.
- d) Do not abuse the cord. Never use the cord for carrying, pulling or unplugging the power tool. Keep cord away from heat, oil, sharp edges or moving parts. Damaged or entangled cords increase the risk of electric shock.
- e) When operating a power tool outdoors, use an extension cord suitable for outdoor use. Use of a cord suitable for outdoor use reduces the risk of electric shock.

- f) If operating a power tool in a damp location is unavoidable, use a residual current device (RCD) protected supply. Use of an RCD reduces the risk of electric shock.

### **3) Personal Safety**

- a) Stay alert, watch what you are doing and use common sense when operating a power tool. Do not use a power tool while you are tired or under the influence of drugs, alcohol or medication. A moment of inattention while operating power tools may result in serious personal injury.
- b) Use personal protective equipment. Always wear eye protection. Protective equipment such as a dust mask, non-skid safety shoes, hard hat or hearing protection used for appropriate conditions will reduce personal injuries.
- c) Prevent unintentional starting. Ensure the switch is in the off-position before connecting to power source and/or battery pack, picking up or carrying the tool. Carrying power tools with your finger on the switch or energising power tools that have the switch on invites accidents.
- d) Remove any adjusting key or wrench before turning the power tool on. A wrench or a key left attached to a rotating part of the power tool may result in personal injury.
- e) Do not overreach. Keep proper footing and balance at all times. This enables better control of the power tool in unexpected situations.
- f) Dress properly. Do not wear loose clothing or jewellery. Keep your hair and clothing away from moving parts. Loose clothes, jewellery or long hair can be caught in moving parts.
- g) If devices are provided for the connection of dust extraction and collection facilities, ensure these are connected and properly used. Use of dust collection can reduce dust-related hazards.
- h) Do not let familiarity gained from frequent use of tools allow you to become complacent and ignore tool safety principles. A careless action can cause severe injury within a fraction of a second.

### **4) Power Tool Use And Care**

- a) Do not force the power tool. Use

the correct power tool for your application. The correct power tool will do the job better and safer at the rate for which it was designed.

- b) Do not use the power tool if the switch does not turn it on and off. Any power tool that cannot be controlled with the switch is dangerous and must be repaired.
- c) Disconnect the plug from the power source and/or remove the battery pack, if detachable, from the power tool before making any adjustments, changing accessories, or storing power tools. Such preventive safety measures reduce the risk of starting the power tool accidentally.
- d) Store idle power tools out of the reach of children and do not allow persons unfamiliar with the power tool or these instructions to operate the power tool. Power tools are dangerous in the hands of untrained users.
- e) Maintain power tools and accessories. Check for misalignment or binding of moving parts, breakage of parts and any other condition that may affect the power tool's operation.

If damaged, have the power tool repaired before use. Many accidents are caused by poorly maintained power tools.

- f) Keep cutting tools sharp and clean. Properly maintained cutting tools with sharp cutting edges are less likely to bind and are easier to control.
- g) Use the power tool, accessories and tool bits etc. in accordance with these instructions, taking into account the working conditions and the work to be performed. Use of the power tool for operations different from those intended could result in a hazardous situation.
- h) Keep handles and grasping surfaces dry, clean and free from oil and grease. Slippery handles and grasping surfaces do not allow for safe handling and control of the tool in unexpected situations.

## **5) Battery Tool Use And Care**

- a) Prevent unintentional starting. Ensure the switch is in the off-position before connecting to battery pack, picking up or carrying the power tool. Carrying the power tool with your finger on the switch or energizing



- power tool that have the switch on invites accidents.
- b) Disconnect the battery pack from the power tool before making any adjustments, changing accessories, or storing power tool. Such preventive safety measures reduce the risk of starting the power tool accidentally.
  - c) Recharge only with the charger specified by the manufacturer. A charger that is suitable for one type of battery pack may create a risk of fire when used with another battery pack.
  - d) Use power tools only with specifically designated battery packs. Use of any other battery packs may create a risk of injury and fire.
  - e) When battery pack is not in use, keep it away from other metal objects, like paper clips, coins, keys, nails, screws or other small metal objects, that can make a connection from one terminal to another. Shorting the battery terminals together may cause burns or a fire.
  - f) Under abusive conditions, liquid may be ejected from the battery; avoid contact. If contact accidentally occurs, flush with water. If liquid contacts eyes, additionally seek medical help. Liquid ejected from the battery may cause irritation or burns.
  - g) Do not use a battery pack or tool that is damaged or modified. Damaged or modified batteries may exhibit unpredictable behaviour resulting in fire, explosion or risk of injury.
  - h) Do not expose a battery pack or tool to fire or excessive temperature. Exposure to fire or temperature above 130 °C may cause explosion.
  - i) Follow all charging instructions and do not charge the battery pack or tool outside the temperature range specified in the instructions. Charging improperly or at temperatures outside the specified range may damage the battery and increase the risk of fire.
- ## 6) Service
- a) Have your power tool serviced by a qualified repair person using only identical replacement parts. This will ensure that the safety of the power tool is maintained.
  - b) Never service damaged battery packs. Service of battery packs

should only be performed by the manufacturer or authorized service providers.

## **SAFETY WARNINGS FOR RECIPROCATING SAWS**

- a) Hold the power tool by insulated gripping surfaces, when performing an operation where the cutting accessory may contact hidden wiring or its own cord. Cutting accessory contacting a “live” wire may make exposed metal parts of the power tool “live” and could give the operator an electric shock.
- b) Use clamps or another practical way to secure and support the workpiece to a stable platform. Holding the workpiece by hand or against your body leaves it unstable and may lead to loss of control.
- c) Keep hands away from moving parts. Never place your hands near the cutting area.
- d) Use extra caution when cutting overhead and pay particular attention to overhead wires which may be hidden from view. Anticipate the path of falling branches and debris ahead of time.
- e) Avoid unintentional starting.
- f) Do not lay the tool down until it has come to a complete stop. Moving parts can grab the surface and pull the tool out of your control.
- g) When using a handheld power tool, maintain a firm grip on the tool with both hands to resist starting torque.
- h) Do not leave the tool unattended when the Battery Pack is connected. Turn off the tool, and remove the Battery Pack before leaving.
- i) This product is not a toy. Keep it out of reach of children.
- j) People with pacemakers should consult their physician(s) before use. Electromagnetic fields in close proximity to heart pacemaker could cause pacemaker interference or pacemaker failure.
- k) The warnings, precautions, and instructions discussed in this instruction manual cannot cover all possible conditions and situations that may occur. It must be understood by the operator that common sense and caution are factors which cannot be built into this product, but must be

Prepare to begin work before turning on the tool.

- supplied by the operator.
- l) Do not operate this tool for long periods of time. Vibration caused by the operating action of this tool may cause permanent injury to fingers, hands, and arms. Use gloves to provide extra cushion, take frequent rest periods, and limit daily time of use.
  - m) Avoid prolonged contact with dust from power sanding, sawing, grinding, drilling, and other construction activities. Wear protective clothing and wash exposed areas with soap and water. Allowing dust to get into your mouth, eyes, or lay on the skin may promote absorption of harmful chemicals.
  - d) Protect the battery against heat (e. g., against continuous intense sunlight and fire) water and moisture. Danger of explosion.
  - e) In case of damage and improper use of the battery, vapours may be emitted. Ventilate the area and seek medical help in case of complaints. The vapours can irritate the respiratory system.
  - f) Use the battery pack only in conjunction with this product and/or product family. This measure alone protects the battery against dangerous overload.

## **BATTERY PACK SAFETY WARNINGS**

- a) Ensure the switch is in the off position before inserting battery pack. Inserting the battery pack into machines that have the switch on can cause accidents.
- b) Use only original battery packs intended specifically for this machine. Use of any other battery packs may create a risk of injury and fire.
- c) Do not open the battery. Danger of short-circuiting.

## **SAFETY WARNINGS FOR BATTERY CHARGER**



Read all safety warnings and instructions before using the charger.



Only for indoor use!



Class II protection.

- a) This appliance can be used by children aged from 8 years and above and persons with reduced physical, sensory or mental capabilities or lack of experience and knowledge if they have been given supervision or instruction

concerning use of the appliance in a safe way and understand the hazards involved. Children shall not play with the appliance. Cleaning and user maintenance shall not be made by children without supervision.

- b) If the supply cord is damaged, it must be replaced by the manufacturer, its service agent or similarly qualified persons in order to avoid a hazard.
- c) Only charge the battery pack as specified in this instruction manual. Do not charge non-rechargeable batteries.
- d) Charge the product indoors only.
- e) Protect the charger against moisture and wet conditions. There is a danger of electric shock.
- f) Do not cover the battery charger. Otherwise, the battery charger can overheat and no longer operate properly.

## **EMERGENCY**

Familiarize yourself with the use of this product by means of this instruction manual. Memorize the safety directions and follow them to the letter. This will help to prevent risks and hazards.

- a) Always be alert when using

this product, so that you can recognize and handle risks early. Fast intervention can prevent serious injury and damage to property.

- b) Switch off the product and remove the battery pack if there are malfunctions. Have the product checked by a qualified professional and repaired, if necessary, before you operate it again.

## **INTENDED USE**

This 18V reciprocating saw is intended for cutting wood, metal or plastic materials. Do not use on workpiece whose maximum thickness exceeds the minimum extension of blade.

## **RESIDUAL RISKS**

Every power tool contains risks, even all relevant safety standards are fulfilled and the instruction manual provides you abundant information for safety working. Residual risks could be for example:

- a) Touching of moving parts or attachment.
- b) Touching with hot power tool accessory.
- c) Injuries and damage to property due to broken attachments or

the sudden impact of hidden objects during use.

- d) Danger of injury and property damage caused by flying objects or poor power tool accessories.
- e) Lung damage by inhalation of dust.

Safe working also depends on the familiarity of the operating personnel in dealing with the respective power tool! Corresponding machine knowledge as well as prudent behavior during work help to minimize existing residual risks.

## KNOW YOUR UNIT

### APPLICATIONS

Model: PSRX2-L1-EU

As a reciprocating saw:

Cutting wood, metal and plastic materials.

1	Blade
2	Shoe
3	Collet
4	Handle
5	Trigger Lock
6	Switch Trigger
7	Battery Pack
8	Unlock Button





### NOTE:

PSRX2-L1-EU-0 does not include the charger and the battery pack.

## SPECIFICATIONS\*

Model	PSRX2-L1-EU
Rated voltage	18V d.c.
No-load speed	2700rpm
Reciprocating Stroke	20mm
Weight (without battery)	2.5g

<b>Battery pack model for option</b>	B20X2
Rated voltage	18V  , 20V Max.
Rated capacity	2.0Ah
Weight	Approx. 0.34kg
<b>Battery pack model for option</b>	B40X2
Rated voltage	18V  , 20V Max.
Rated capacity	4.0Ah
Weight	Approx. 0.65kg

<b>Charger model for option</b>	CHX2
Rated input	100-240V ~ 50/60Hz
Rated output	21V, 2A
Charging time (with 2.0 Ah battery)	75mins
Charging time (with 4.0 Ah battery)	140mins
Protection class	□ / II
Weight	Approx. 0.34kg
<b>Charger model for option</b>	CHQX2
Rated input	100-240V ~ 50/60Hz
Rated output	21V, 4A
Charging time (with 2.0 Ah battery)	35mins
Charging time (with 4.0 Ah battery)	70mins
Protection class	□ / II
Weight	Approx. 0.48kg

## ASSEMBLY

1. Unpack all parts and lay them on a flat, stable surface:
2. Remove all packing materials and shipping devices, if applicable.
3. The scope of delivery varies depending on the country and purchased variant:  
Model of PSRX2-L1-EU
  - Reciprocating saw x1
  - Instruction manual x1
  - Blade x1
  - Battery pack x1
  - Charger x1
4. If you find that parts are missing or show damage do not use the product but contact your dealer. Using an incomplete or damaged product represents a hazard to people and property.
5. Ensure that you have all the accessories and tools needed for assembly and operation. This also includes suitable personal protective equipment.



## NOTE:

PSRX2-L1-EU-0 does not include the charger and the battery pack.



## WARNING:



Wear protective gloves for this assembly work and always lay the product on a flat and stable surface while assembling.



Follow the assembly instructions step-by-step and use the pictures provided as a visual guide to easily assemble the product!

Do not insert the battery pack before the power tool is completely assembled or adjusted!

## BLADE



## WARNING:

Never attach a bend blade or operate the saw with a loose blade.

Twist open the collet and insert the blade as far as into it (Fig. 2). Once released, the blade will be firmly held in place. Pull the blade to make sure it is securely clamped. To remove, twist open the collet and pull the blade out.



## WARNING:

Blade may be hot after use. Make sure it is completely cooled down before touching.

## BATTERY PACK



## NOTE:

Prior to installation, lock the switch trigger by trigger lock to avoid unintentional start.

To install, align and slide the battery pack to the docking port until it is locked in place (Fig.3).

To remove, press the unlock button on battery pack and slide the battery pack out.

## OPERATION



## WARNING:

Always wear eye, hearing, hand protection to reduce the risk of injury when operating the tool. Keep all parts of your body away from the rotating bit.



## WARNING:

Before cutting any type of material, be sure it is firmly clamped to prevent slipping.

## WORKPIECE AND WORK AREA SET UP

1. Designate a work area that is clean and well lit. The work area must not allow access by children or pets to prevent distraction and injury.
2. Secure loose workpieces using a vise or clamps (not included) to prevent movement while working.
3. There must not be objects, such as utility lines, nearby that will present a hazard while working. This is especially critical for plunge cuts.
4. Using a glove, push blade holder all the way back. The workpiece must be thinner than the minimum blade extension.
5. Blade breakage may occur if the blade does not extend past the shoe and the workpiece during the cut. Properly sized workpiece is important for operation (Fig. 4&5).



## WARNING:

To prevent injury, do not use on workpieces thicker than the minimum blade extension at their maximum thickness (Fig. 6&7). Blade tip can strike workpiece and may shatter.

## GENERAL INSTRUCTIONS

1. Use faster speed when cutting softer materials. Use slower speed when cutting harder materials.
2. Allow saw to come up to desired speed before touching the workpiece. Guide saw blade into workpiece.



## WARNING:

To prevent serious injury, keep shoe pressed firmly against workpiece while cutting to prevent kickback.

3. Maintain smooth motion, guiding blade through material as it is cutting. Follow cut. Do not use excessive pressure when pushing down on saw. If saw slows down as it is cutting, apply less pressure on the saw.
4. To prevent accidents, turn off the tool and lock the trigger, remove its battery pack after use. Clean, then store the tool indoors out of children's reach.
5. Install a suitable cutting blade judging from the material of workpiece.
6. To stop the saw, release the trigger. Remove from cut before the saw comes to a complete stop.
7. Never start a plunge cut with saw blade touching workpiece.
8. It is recommended to mark a cutting line on workpiece.
9. Coat the cutting surface with cutting oil to prevent the blade from overheating when cutting metal workpiece.

## SWITCHING ON/OFF

Keep the trigger lock pressed and pull the switch trigger to start tool. The trigger lock can be released when the tool is running (Fig.8).



### NOTE:

The LED light automatically lights up after starting the unit, and goes off after switching off the unit .

## GENERAL INSTRUCTIONS

1. Grip the saw handle firmly. Rest the front of the pivoting shoe on workpiece with blade above the work.
2. Rest the shoe on the workpiece (be sure the blade is not touching the workpiece).
3. Allow saw to reach desired speed before guiding into workpiece.



### NOTE:

Use faster speed when cutting softer materials. Use slower speed when cutting harder materials.

4. Do not force the cut. Follow cut and maintain a smooth motion.
5. Keep the shoe firmly against the workpiece at all times. Never bend the blade.
6. Saw shuts down when the blade is jammed. Remove the blade from cut and restart.
7. Replace blade when it becomes dull.
8. To prevent accidents, turn off the tool and lock the trigger, remove its battery pack after use. Clean, then store the tool indoors out of children's reach.



### WARNING:

Prevent dust accumulation at workplace. Dust can easily ignite.

## PLUNGE CUTTING



### NOTE:

Plunge cut into plywood, sheetrock, and thin board panels. Do not attempt to plunge cut into thick, hard wood or metal panels.

1. Mark cut line on the workpiece.
2. Place shoe on workpiece with blade parallel to cut line, and not touching the workpiece.



### WARNING:

To prevent serious injury due to kickback, do not start a plunge cut with saw blade touching workpiece.

3. Start the saw and allow it to reach full speed.
4. Guide the blade into workpiece. Slowly tilt the saw until the blade is perpendicular to the workpiece.
5. Maintain the smooth cut along the line to complete the cut.

## METAL CUTTING

1. Install a blade specially designed for metal cutting.
2. Coat the cutting surface with cutting oil to prevent the blade from overheating.
3. Follow GENERAL INSTRUCTION FOR USE.

## CHARGING THE BATTERY PACK



### WARNING:

This Lithium-Ion battery pack is shipped partially charged. Fully charge the battery pack before using it for the first time.









1. Charge the Lithium-Ion battery pack only with the correct charger.
2. Connect the charger to a power supply, the light indicator of the charger turns red.
3. Align the raised ribs of the battery pack with the slot in the charger (Fig.9).
4. Insert the battery pack into the charger, the light indicator of the charger turns green and it flashes.



- The charger will communicate with the battery pack to evaluate the condition of the battery pack.
- It is fully charged that the four lights of the battery turn on. Disconnect the power supply from the charger. Remove battery pack from the charger.

## CHARGING INDICATOR

Press the light button on the battery pack to check whether it needs to charge (Fig.10).

Lights			Remaining Capacity
Lighted	Off	Blinking	
			
			75% - 100%
			50% - 75%
			25% - 50%
			5% - 25%
			< 5% (need to be charged)



### WARNING:

Malfunctions may occur when the four lights blinking in turns.

## OVERHEAT PROTECTION

When the tool/battery is overheated, the tool stops automatically. In this situation, let the power tool/battery cool before turning the tool on again.

## OVERDISCHARGE PROTECTION

When the battery capacity is not enough, the tool stops automatically. In this case, remove the battery from the tool and charge the battery.

## MAINTENANCE



### WARNING:

Only perform cleaning and maintenance work according to these instructions!  
All further works must be performed by a qualified specialist!



### WARNING:

TO PREVENT SERIOUS INJURY FROM ACCIDENTAL OPERATION:

Make sure the trigger is locked and battery pack is removed before performing any procedure in this section.

TO PREVENT SERIOUS INJURY FROM TOOL FAILURE:

Do not use damaged equipments.

If abnormal noise or vibration occurs, have the problem corrected before further use.

There are no user-serviceable parts in your power tool. If any of following condition are found, stop using it and send it to the authorized service center for repair.

- leaking, swollen, or cracked battery pack
- loose hardware
- misalignment or binding of accessories.
- cracked or broken parts.
- any other condition that may affect its safe operation.

## CLEANING

- Clean dust and debris from air vents.
- Keep handle clean, dry and free of oil or grease.
- Make sure the collet is free of chips and sawdust.
- Remove stubborn dirt from housing with high pressure air (max. 3 bar).



### NOTE:

Do not use chemical, alkaline, abrasive or other aggressive detergents or disinfectants to clean this product as they might be harmful to its surfaces.

## TRANSPORTATION

- Only carry by its handle.
- Remove or cover the blade during the transport.
- Protect from any heavy impact or strong vibrations which may occur during transportation in vehicles.
- Secure to prevent it from slipping or falling over.

## STORAGE

1. Clean thoroughly as described above.
2. Store in a dark, dry, frost-free and well-ventilated area that is inaccessible to children. The ideal storage temperature is between 10°C and 30°C.
3. Use original package for storage or cover with a suitable cloth to protect it against dust.



### NOTE:

To prolong battery life, store the battery pack separately from the tool in a 30%-50% charged condition. It's recommended to have your battery pack charged at least every 6 months.

## RECYCLING AND DISPOSAL



Disposal of waste electric and electronic equipment (WEEE)

Waste electric and electronic equipment shall not be disposed of with household waste. Please recycle where facilities exist. Check with your local authority for recycling advice.



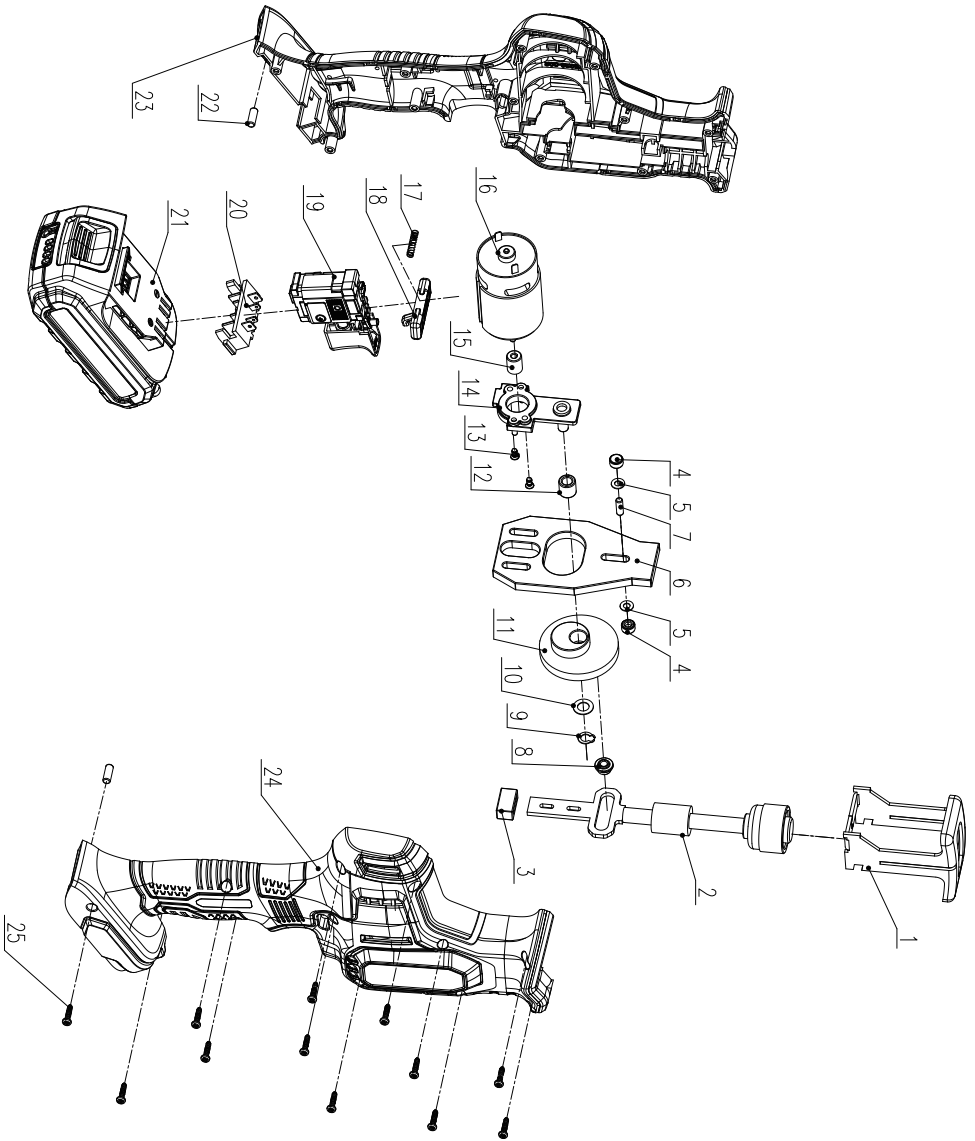
Disposal of defective or used battery pack  
Discharge your battery pack by operating your tool, then remove the battery pack from the tool. Cover the battery pack connections with heavy duty adhesive tape to prevent short circuit and energy discharge.  
Do not attempt to open or remove any of the components.  
Batteries and battery packs shall not be disposed of with household waste. Consult your local waste authority for information regarding available recycling and/or disposal options.

# TROUBLESHOOTING

Suspected malfunctions are often due to causes that the users can fix themselves. Therefore, check the product using this section. In most cases the problem can be solved quickly.

PROBLEM	POSSIBLE CAUSE	SOLUTION
Product does not start	The switch trigger is locked.	Unlock the switch trigger by the trigger lock.
	Battery pack not properly attached.	Attach properly.
	Battery pack completely discharged.	Charge the battery pack.
Tool operates slowly	Forcing tool to work too fast.	Allow tool to work at its own rate.
	Battery power is too low.	Charge the battery pack.
Performance decreases over time	Blade is dull or damaged.	Keep blades sharp. Replace with a new one if necessary.
	Battery pack reaches its life cycle.	Replace with a new one.
Excessive noise	Internal damage or wear. (bearings, for example.)	Have technician service tool.
Overheating	Forcing tool to work too fast.	Allow tool to work at its own rate.
	Blade dull or damaged.	Keep blades sharp. Replace if necessary.
	Blocked motor housing vents.	Blow dust out of motor using compressed air.

# PARTS



No.	Part #	Description	Qty.
1	B025026-006-00	Shoe	1
2	B025026-007-00	Rod as-reciprocating	1
3	B025026-015-00	Axle sleeve	1
4	B025026-008-00	Fixed seat	2
5	B025026-020-00	Flat washer	2
6	B025026-012-00	Balance block	1
7	B025026-018-00	Cylindrical pin	1
8	B025026-017-00	Flange sleeve	1
9	8CC-06B01	External Circlips	1
10	8202-754401-00	Flat washer	1
11	B025026-011-00	Gear	1
12	B025026-019-00	Needle bearing	1
13	8SEAD03-10	Cross recessed countersunk head screw	2
14	B025026-013-00	Bracket	1
15	B025026-010-00	Gear	1
16	B025026-009-00	Motor assembly	1
17	8342-521701-00	Slide spring	1
18	B025026-004-00	Trigger lock	1
19	B025026-016-00	Switch trigger	1
20	8440-730605-00	Bracket contact plate assembly	1
21	Z011080-001-00	Battery pack	1
22	B048019-034-00	Rubber column	2
23	B025026-002-00	Left housing	1
24	B025026-003-00	Right housing	1
25	8SJEB30-14	Hexagon socket pan head tapping screws	12





